

CBE-FA

AIR FILTERS



DESCRIPTION

Air breather, flange mounting

MATERIALS

Housing: Painted steel (black)

SPARE FILTER ELEMENT

VD - Velvet mesh

Filtration degree (in air) 10 μ m.

FD – Fibreglass (on request only)

Filtration degree (in air) 2,5 μ m.

CD – Impregnated cellulose (on request only)

Filtration degree (in air) 10 μ m.

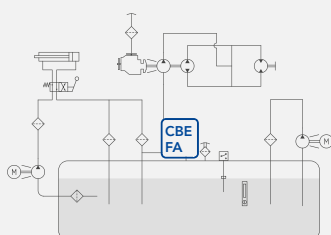
COMPATIBILY (ISO 2943)

Full with fluids HH-HL-HM-HV-HTG (according to ISO 6743/4).
For fluids different than the above mentioned, please contact our Customer Service.

WORKING TEMPERATURE

From -25°C to +110°C

HYDRAULIC DIAGRAM



Is this datasheet the latest release? Please check on our website.

CBE-FA

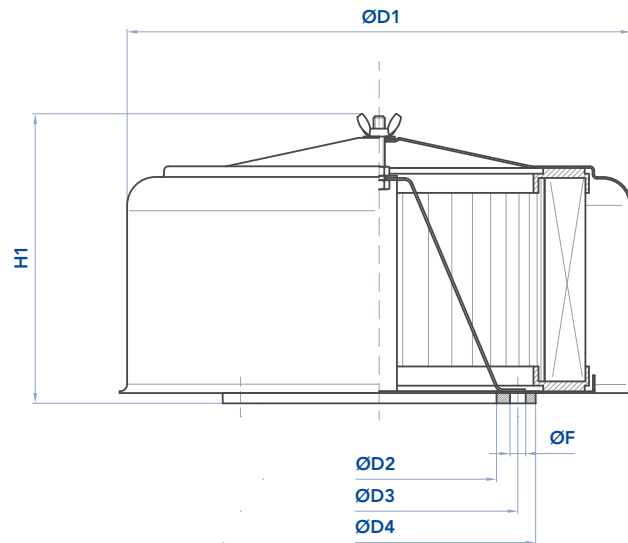
AIR FILTERS



ORDERING AND OPTION CHART

C	B	E	COMPLETE FILTER FAMILY						FILTER ELEMENT FAMILY	E	B	E
			SIZE & LENGHT	11	12	21	22	23	SIZE & LENGHT			
		F	PORT TYPE									
			F = round flange	F	F	F	F	F				
			PORT SIZE									
			10 = hole ø 100 mm	10	-	-	-	-				
			12 = hole ø 125 mm	-	12	-	-	-				
			14 = hole ø 145 mm	-	-	14	-	-				
			16 = hole ø 165 mm	-	-	-	16	16				
			FILTER MEDIA						FILTER MEDIA			
			VD = velvet mesh	VD	VD	VD	VD	VD				
			FD = fibreglass	FD	FD	FD	FD	FD				
			CD = impregnated cellulose	CD	CD	CD	CD	CD				

INSTALLATION DRAWING



DIMENSIONS

	flow rate (l/min)	D1	D2	D3	D4	F	H1	Kg
CBE11F10VD FA 5528.1	6.000	292	100	130	160	8,5	120	2,50
CBE12F12VD FA 5528.2	9.000	292	125	155,5	180	11	145	2,80
CBE21F14VD FA 5554.1	12.000	354	145	175	200	11	160	2,50
CBE22F16VD FA 5554.2	15.000	354	165	195	220	11	190	3,00
BE23F16VD FA 5554.3	20.000	354	165	195	220	11	240	3,50